

Product Data Sheet

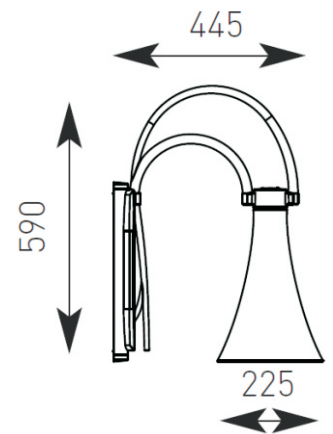
Liberty

Supplied Less Lamp
LED Models - Supplied c/w Integral Driver

Collezione Italiana



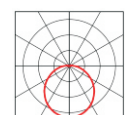
- Contemporary die-cast aluminium lantern with transparent polycarbonate diffuser
- Available in graphite or black copper paint finishes
- Post lanterns incorporate removable plate for easy wiring access
- LED models powered by Citizen Electronics LED (5000K)



	Code	Lamp	Description
Wall Lantern	ALHID/WL/GRA	CDM-TC	35W - Graphite
	ALHID/WL/BCO	CDM-TC	35W - Black Copper
	ALPL/WL/GRA/HF	PL-T	26W - Graphite
	ALPL/WL/BCO/HF	PL-T	26W - Black Copper
	ALLED/WL/GRA	LED	13W Cool White - Graphite
	ALLED/WL/BCO	LED	13W Cool White - Black Copper



CE F ± HF IP65



Photometric Data Available

Product Data Sheet

Liberty

Supplied Less Lamp



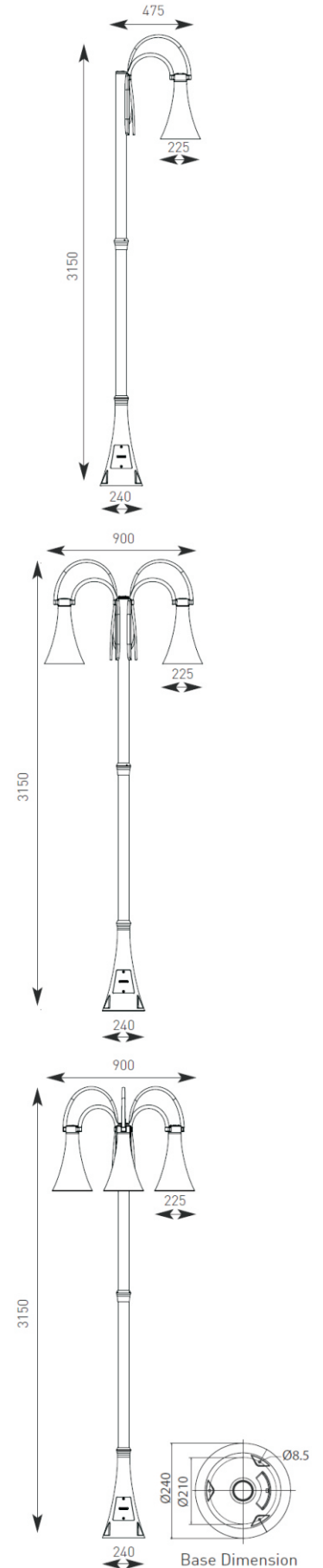
Triple Head Post Lantern



Single Head Post Lantern



Twin Head Post Lantern



Code	Lamp	Description
------	------	-------------

Code	Lamp	Description
Post Lantern ALHID/PTL1/GRA	CDM-TC	35W Single Head - Graphite
ALHID/PTL1/BCO	CDM-TC	35W Single Head - Black Copper
ALHID/PTL2/GRA	CDM-TC	35W Twin Head - Graphite
ALHID/PTL2/BCO	CDM-TC	35W Twin Head - Black Copper
ALHID/PTL3/GRA	CDM-TC	35W Triple Head - Graphite
ALHID/PTL3/BCO	CDM-TC	35W Triple Head - Black Copper
ALLED/PTL1/GRA	LED	13W Cool White Single Head - Graphite
ALLED/PTL1/BCO	LED	13W Cool White Single Head - Black Copper
ALLED/PTL2/GRA	LED	13W Cool White Twin Head - Graphite
ALLED/PTL2/BCO	LED	13W Cool White Twin Head - Black Copper
ALLED/PTL3/GRA	LED	13W Cool White Triple Head - Graphite
ALLED/PTL3/BCO	LED	13W Cool White Triple Head - Black Copper

Accessories ARMK6	Root Mounting Kit
--------------------------	-------------------