

Product Data Sheet

HQI Inground Uplight

Supplied Less Lamp



AW070MH

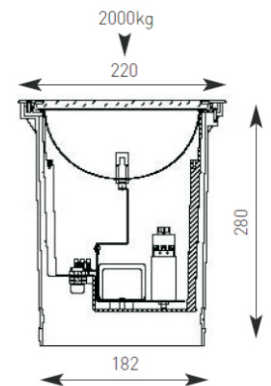


AW035MH fitted with Square Frame

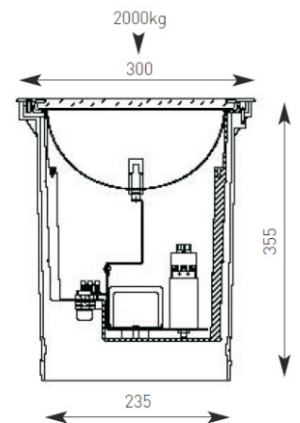
Code	Lamp	Description
AW035MH	CDM-T	35W
AW070MH	CDM-T	70W
AW0150MH	CDM-T	150W

Accessories	Code	Description
	AW0SQF/3570	Square Stainless Steel Frame for AW035MH and AW070MH (220 x 220mm)
	AW0SQF/150	Square Stainless Steel Frame for AW0150MH (300 x 300mm)

- Housing in die-cast aluminium with anti-corrosion polyester powder coat
- 316 stainless steel trim and fixing screws with toughened 12mm thick safety glass
- Adjustable aluminium reflector to 20° either side of vertical orientation
- Static load test to 2000kg and therefore suitable for vehicular and pedestrian traffic



AW035MH and AW070MH



AW0150MH

CE F IP67