

# Product Data Sheet

## Mira LED Inground Uplight

No Driver Required

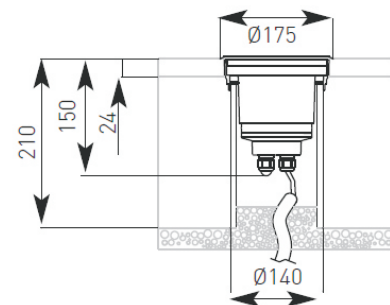
Collezione Italiana



AMSSLED

AMBALED

- Professional LED inground uplight
- Powered by 240V 12W Acriche Seoul LED's (6000k)
- Nominal lumen 780LM
- Direct mains connection (no driver is required)
- Die-cast aluminium body
- Static load test to 2000kg and therefore suitable for vehicular and pedestrian traffic
- Choice of bezel - stainless steel AISI316L or black die-cast aluminium



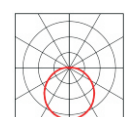
Beam Angles

Code	Lamp	Description
AMSSLED12	LED 240V	12W Stainless Steel - Cool White (12° Beam)
AMSSLED40	LED 240V	12W Stainless Steel - Cool White (40° Beam)
AMBALED12	LED 240V	12W Black Die-cast Cool White (12° Beam)
AMBALED40	LED 240V	12W Die-cast Cool White (40° Beam)

**Accessories** ASSCK Stainless Steel Cleaning Kit (see page 326)



CE F ⊕ IP67



Photometric Data Available